

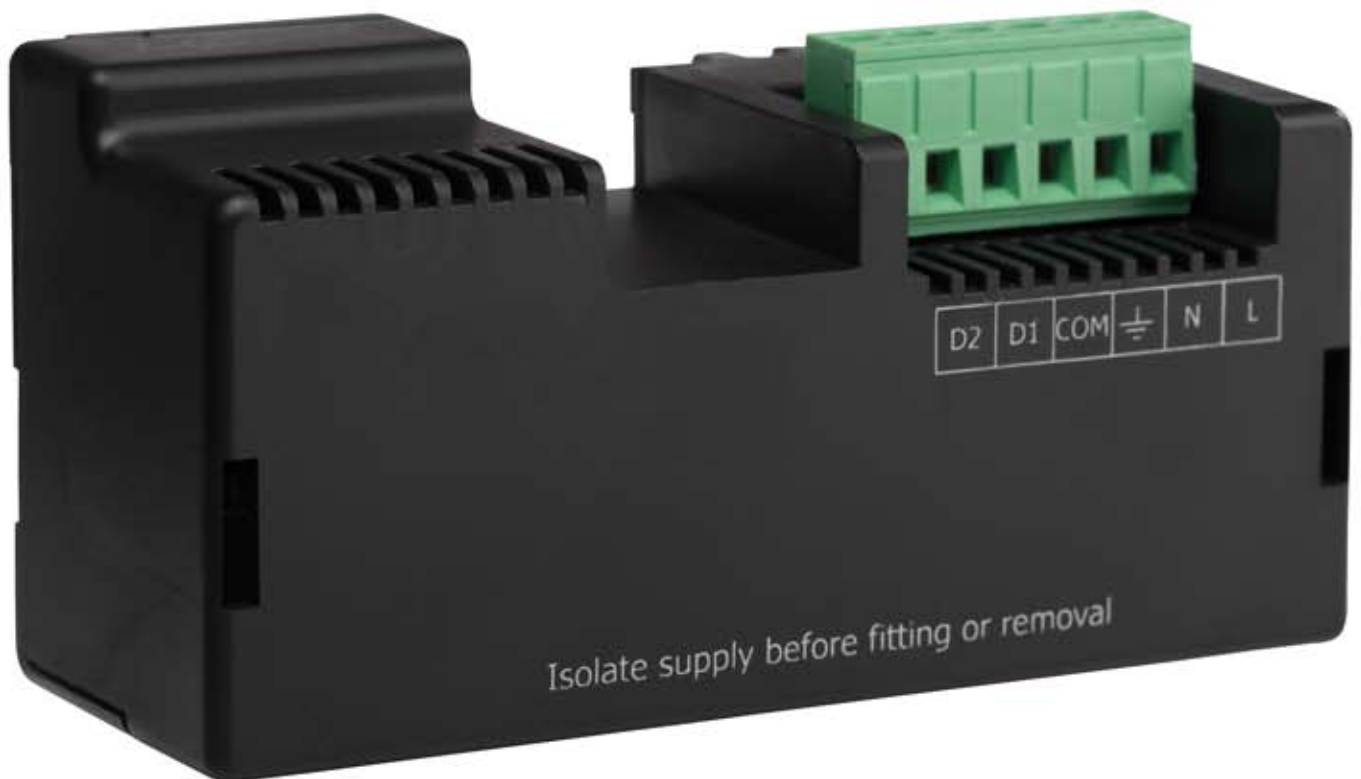


MOTORTRONICS™

Solid State AC Motor Control

VMX-agility™

POWER SUPPLY INSTALLATION GUIDE



Power Supply Installation Guide

**Phasetronics Inc. dba Motortronics
1600 Sunshine Drive
Clearwater, Florida 33765
www.motortronics.com**

© 2019 by Phasetronics, all rights reserved

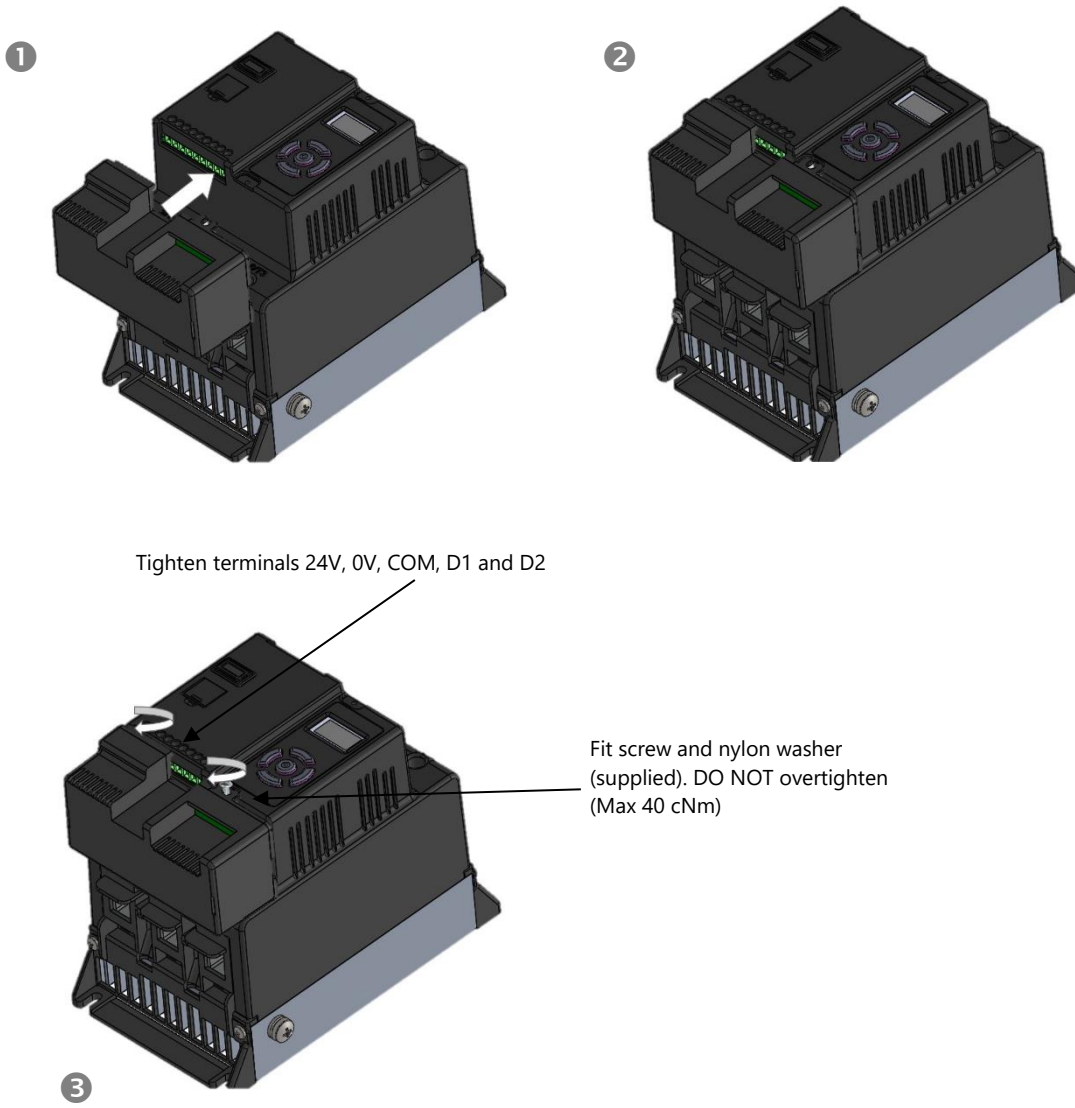
Copyright subsists in all Phasetronics Inc. deliverables including magnetic, optical and/or any other soft copy of these deliverables. This document may not be reproduced, in full or in part, without written permission. Enquiries about copyright of Phasetronics Inc. deliverables should be made to Phasetronics Inc. Ltd. If, by permission of the copyright owner, any part of this document is quoted, then a statement specifying the original document shall be added to the quotation. Any such quotation shall be according to the original (text, figure or table) and may not be shortened or modified.

Power Supply (VMX-AGY-020)

VMX-AGY-020 is a dedicated mains power supply for the agility soft start. In addition to allowing for mains control voltage operation, the power supply also allows for mains voltage digital control (D1/D2).

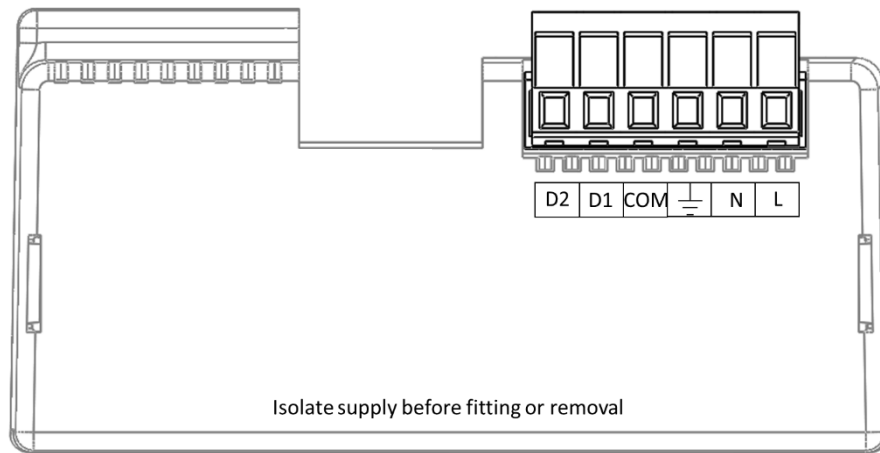
Fitting

Ensure terminals 24V, 0V, COM, D1 and D2 are fully open before installing power supply as shown below:

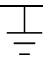


When the VMX-AGY-020 installation is complete, control supply, D1 and D2 are provided on the power supply rather than the agility main unit

Connections



Control Terminal Functions

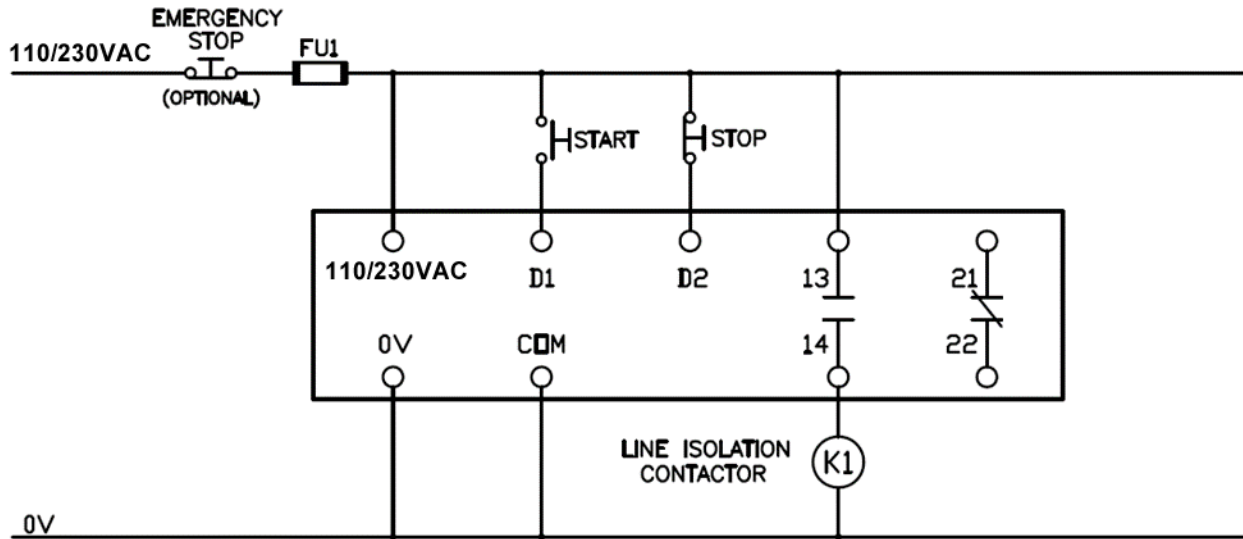
Terminal	Description	Default	Function Selectable	Note
L	Control Supply Live (+Us)	-	No	#1
N	Control Supply Neutral -(Us)	-	No	
	Mains supply Earth	-	No	
COM	Digital Inputs Common	-	No	
D1	Digital Input 1	-	Yes	#2
D2	Digital Input 2	-	Yes	#2
13/14	Main Contactor Control (Run Relay)	-	No	#3
23/24	Top of Ramp Relay	-	No	#3

#1 110Vac or 230Vac, 47 – 63Hz

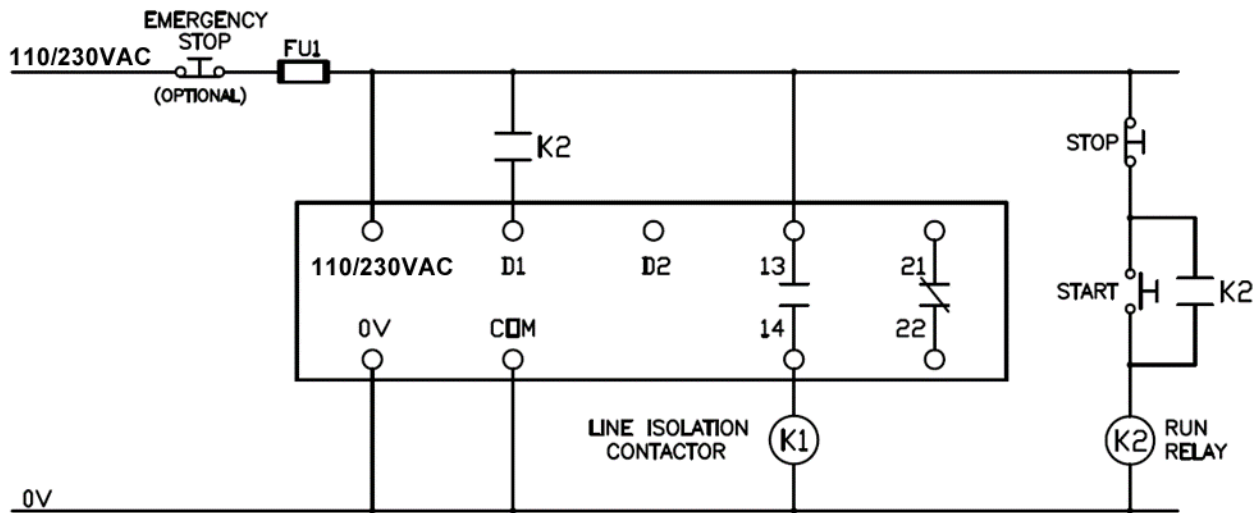
#2 The voltage applied to the digital inputs D1 and D2 must be the same as the supply voltage.

#3 230Vac, 1A, AC15. 30Vdc, 0.5A resistive

3-Wire Control Using AGY-020



2-Wire Control Using AGY-020



California Customers:

California Proposition 65 Warning

WARNING: this product and associated accessories may contain chemicals known to the State of California to cause cancer, birth defects, or other reproductive harm. For more information visit <https://p65warnings.ca.gov>



MOTORTRONICS™

Solid State AC Motor Control

VMX-agility™

POWER SUPPLY INSTALLATION GUIDE

Phasetronics, Inc. dba Motortronics
1600 Sunshine Drive
Clearwater, Florida 33765
USA

Tel: +1 727.573.1819 or 888.767.7792
Fax: +1 727.573.1803 or 800.548.4104

www.motortronics.com